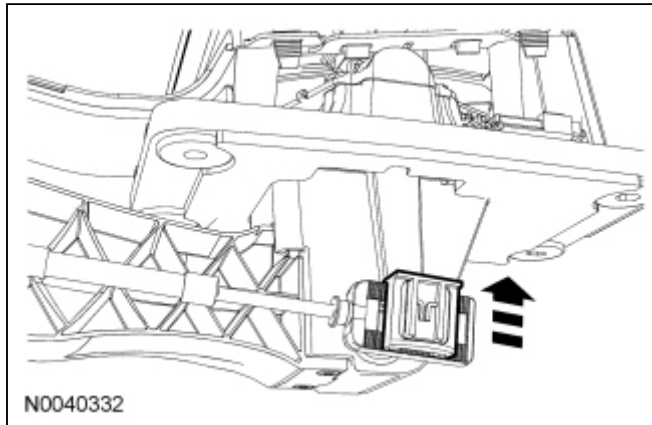


## Selector Lever Cable Adjustment

1. With the vehicle in NEUTRAL, position it on a hoist. For additional information, refer to [Section 100-02](#).
2. Place the transmission selector lever in the D position.
3. Lift the lock upward on the transmission selector cable lock and remove the transmission selector cable from the selector lever.



4. Place the transmission manual control lever in the D position by rotating the manual lever clockwise to the extent of travel, then rotate counterclockwise 3 detents.
5. Install the transmission selector lever cable on the selector lever and push the lock downward to lock the transmission selector lever cable adjustment lock.

